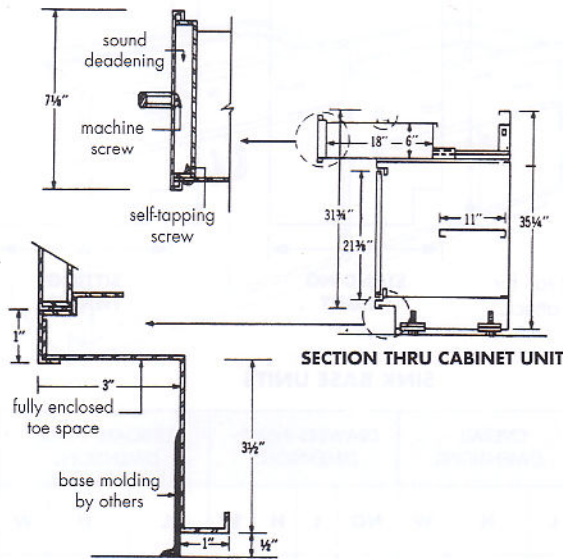
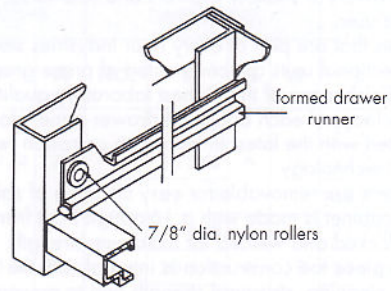


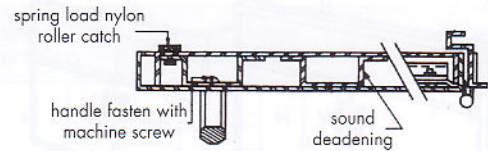
Standard Base Cabinet Construction



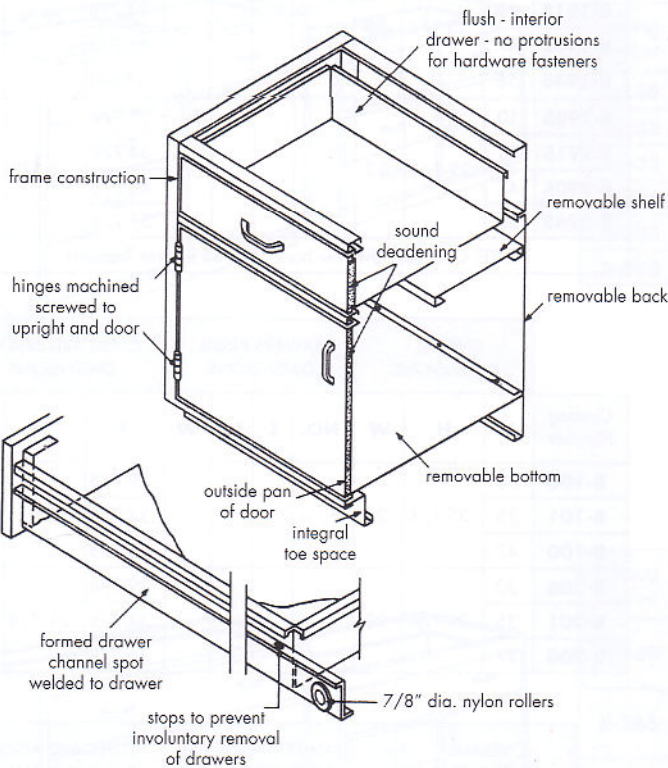
SECTION THRU CABINET UNIT



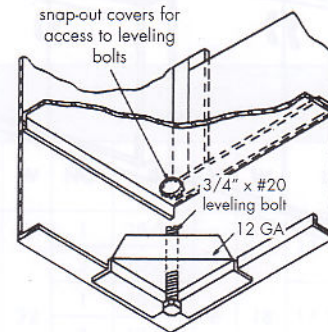
**DRAWER RUNNER IN CABINET
(OPTIONAL: FULL-EXTENSION SLIDES)**



HORIZONTAL SECTION THRU DOOR



**WORMS EYEVIEW
LEVELING DEVICE**



BASE CABINET SPECIFICATIONS

1. Front frame construction - 16 Ga.	7. Drawer channels - 14 Ga.
2. Intermediate cross rails (drawer/cupboard only) - 16 Ga.	8. Nylon stainless steel ball bearing rollers
3. Integral Front toe space - 16 Ga.	9. Inner door liner - 18 Ga.
4. Integral Front toe space - 16 Ga.	10. Outer door pan - 20 Ga.
5. Corner gusset for leveling bolt - 20 Ga.	11. Side panels, backs and bottoms - 20 Ga.
6. Drawer assembly - 20 GA	12. Side frames to be punched for interchangeability